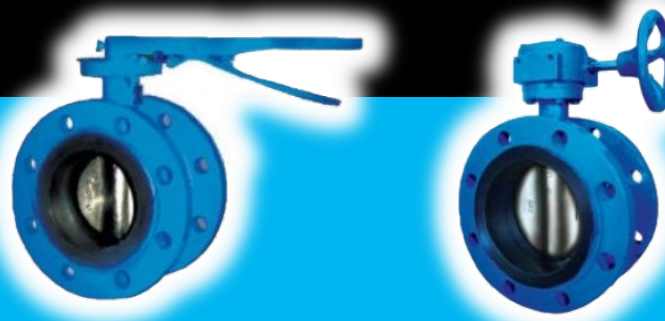


DOUBLE FLANGE BUTTERFLY VALVE (BFV-DC)



Specification

CONCENTRIC TYPE • LEVER / WORM GEAR OPERATOR
 FLANGED TO BS 4504 PN16 OR ANSI150#
 FACE-TO-FACE DIMENSION TO BS 5155 / BS EN558-1 Sr. 20

Materials

Part	Material	BS
Body	Ductile Iron	400/17
Disc	Ductile Iron	400/17
	Aluminium Bronze	1400 AB2
	Stainless Steel 304	304 C15
	Stainless Steel 316	316 C16
Seat Ring	EPDM	
	NBR	
Shaft	Stainless Steel 410	410S21
Taper Pins	Stainless Steel 304	304S16
O-Ring	EPDM	
Bushing	PTFE	

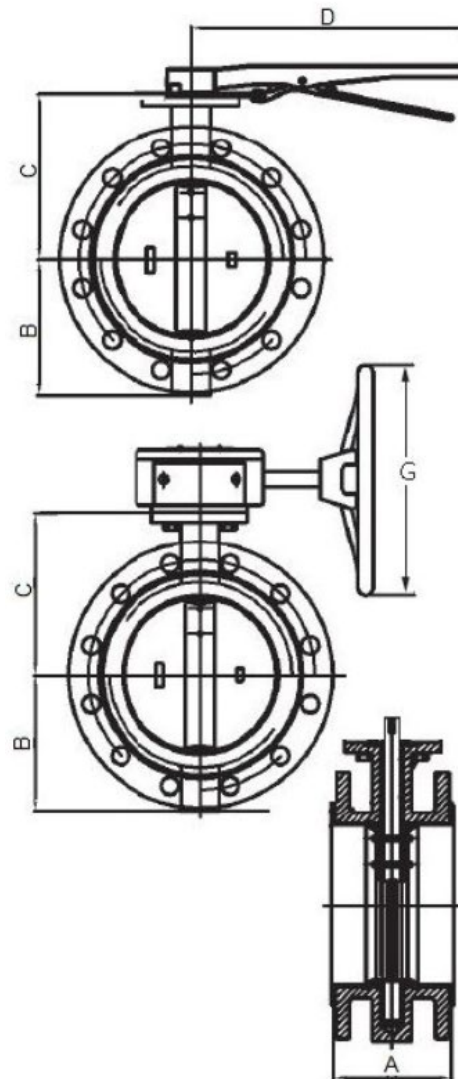
Pressure/Temperature Ratings

Working Pressure	16 bar
Testing Pressure	Shell: 1.5 times Seat: 1.1 times
Working Temperature	-20°C to 110°C (EPDM Seat) -10°C to 80°C (NBR Seat)
Suitable Media	Water & Oil

Dimensions

Size mm	A mm	B mm	C mm	D mm	G mm
50	108	69	126	215	150
65	112	72	136	215	150
80	114	88	146	215	150
100	127	96	158	235	150
125	140	115	179	260	150
150	140	151	210	260	150
200	152	161	230	355	300
250	165	199	271	355	300
300	178	215	305	355	300
350	190	261	353	-	300
400	216	290	381	-	360
450	222	326	392	-	360

Structure





DOUBLE FLANGE BUTTERFLY VALVE (BFV-DC)

Specification

CONCENTRIC TYPE • DOUBLE-STAGE WORM GEAR OPERATOR
 FLANGED TO BS 4504 PN16 OR ANSI150#
 FACE-TO-FACE DIMENSION TO BS 5155 / BS EN558-1 Sr. 20

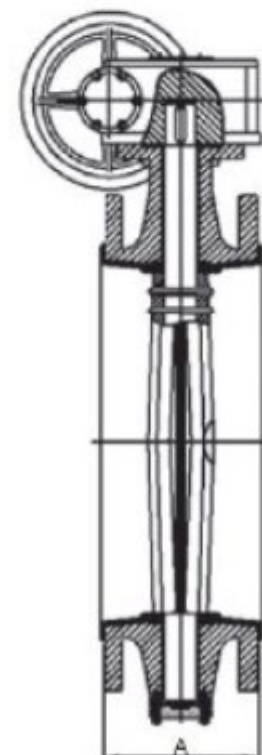
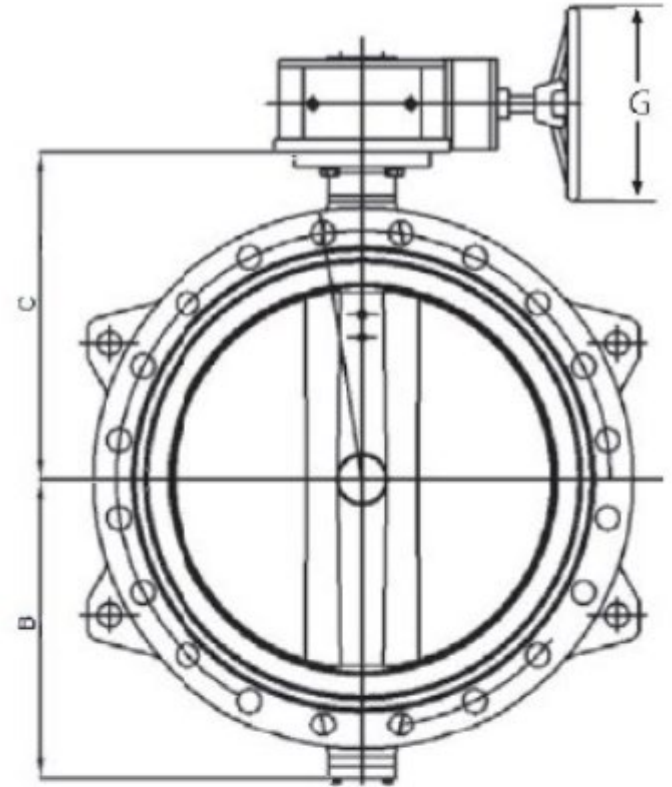
Pressure/Temperature Ratings

Working Pressure	16 bar (DN500~DN700) 10 bar (DN800~DN1200)
Testing Pressure	Shell: 1.5 times Seat: 1.1 times
Working Temperature	-20°C to 110°C (EPDM Seat) -10°C to 80°C (NBR Seat)
Suitable Media	Water & Oil

Dimensions

Size mm	A mm	B mm	C mm	G mm
500	229	358	441	360
600	267	413	509	360
700	292	521	568	360
750	308	530	580	360
800	318	568	641	360
900	330	612	692	450
1000	410	665	735	450
1100	450	743	830	450
1200	470	792	917	570

Structure



Note:

1. Actuator mounting flange conforms to ISO 5122 drilling.
2. The butterfly valve can be supplied with electric actuator.
3. Micro switch / limit switch box are available upon request.
4. Gear operated with chain wheel are available upon request.
5. Design and specifications are subject to change without prior notice.