



Specification

RISING STEM • OUTSIDE SCREW AND YOKE
BS 5150 • FLANGED TO PN16

Material

Part	Material	BS
Body	Cast Iron (DN40~DN125)	1452 Gr. 220
	Ductile Iron (DN40~DN300)	2789 Gr. 420/12
Bonnet	Cast Iron	1452 Gr. 220
Disc	Cast Iron	1452 Gr. 220
Stem	Stainless Steel 420	970304S15
Packing	Graphite	Non-Asbestos
Handwheel	Cast Iron	1452 Gr. 220

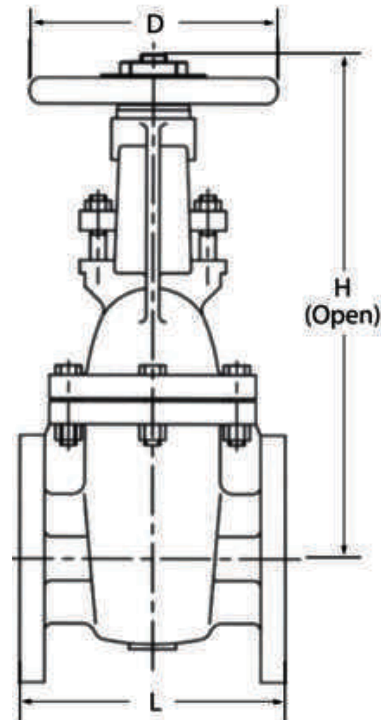
Dimensions

Size mm	L mm	H mm	D mm
40	165	305	160
50	178	325	160
65	190	367	160
80	203	441	200
100	229	513	200
125	254	603	250
150	267	720	250
200	292	923	300
250	330	1116	350
300	356	1345	350
350	381	1560	475
400	406	1740	475

Pressure / Temperature Ratings

Working Pressure	16 bar
Testing Pressure	Shell: 24 bar Seat: 17.6 bar
Working Temperature	-10°C to 150°C
Suitable Media	Water & Oil

Structure



Note:

1. Other flange standards available upon request.
2. Design and specifications are subject to change without prior notice.