



Specification

MSS SP-110
SCREWED BODY CAP • FULL BORE
BLOW-OUT PROOF STEM • PTFE SEAT
THREADED TO BS 21 (ISO 7) /
ASME B1.20.1 OR NPT

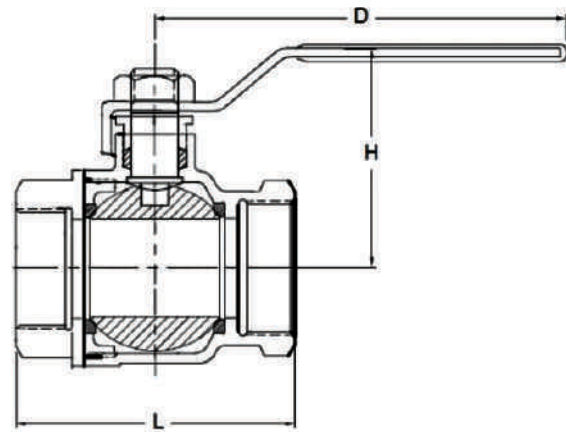
Material

Part	Material	ASTM
Body	Brass	C37700
Cap	Brass	C37700
Ball	Brass	C37700
Seat	PTFE	
Stem	Brass	C37700
Nut	Steel	
Handle	Steel	

Pressure Ratings

Working Pressure	28 bar C.W.P. 10.3 bar @ 186°C
Testing Pressure	Shell: 42 bar Hydrostatic Seat: 31 bar Hydrostatic 80psi (5.5 bar) Air
Working Temperature	-10°C ~ 180°C
Suitable Media	Water & Oil

Structure



Dimensions

Size		L		H		D	
mm	inch	mm	inch	mm	inch	mm	inch
10	3/8	48.0	1.9	44.5	1.8	83.0	3.3
15	1/2	57.5	2.3	50.0	2.0	98.0	3.9
20	3/4	64.0	2.5	51.0	2.0	98.0	3.9
25	1	76.0	3.0	63.0	2.4	124.0	4.9
32	1 - 1/4	88.0	3.5	69.0	2.7	142.0	5.6
40	1 - 1/2	96.0	3.8	74.5	2.9	142.0	5.6
50	2	112.0	4.4	84.5	3.3	166.0	6.5

Note: Design and specifications are subject to change without prior notice.