



**Specification**

MSS SP-80  
SCREWED CAP • SWING TYPE DISC  
• INTEGRAL SEAT THREADED TO BS 21 (ISO7) /  
ASME B1.20.1 OR NPT

**Material**

Part	Material	ASTM
Body	Bronze	C83600
Cap	Bronze	C83600
Disc	Bronze	C83600
Hanger	Bronze	C83600
Disc Nut	Brass	C36000
Plug Nut	Brass	C36000

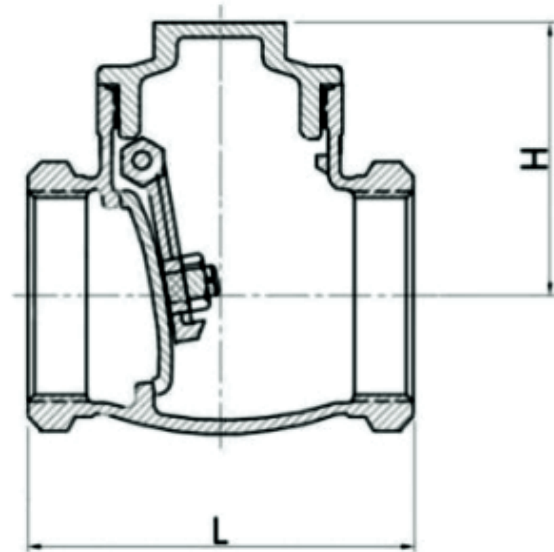
**Pressure Ratings**

Working Pressure	300 psi (20.7 bar) C.W.P. 150 psi (10.3 bar) Saturated Steam
Testing Pressure	Shell: 450 psi (31 bar) Hydrostatic Seat: 330 psi (22.7 bar) Hydrostatic 80 psi (5.5 bar) Air
Working Temperature	-10°C ~ 180°C
Suitable Media	Water & Oil

**Dimensions**

Size		L		H	
mm	inch	mm	inch	mm	inch
15	½	48.5	1.9	30.5	1.2
20	¾	55.5	2.2	38.5	1.5
25	1	71.5	2.8	43.5	1.7
32	1¼	82.2	3.2	51.0	2.0
40	1½	88.5	3.5	60.5	2.4
50	2	109.0	4.3	76.5	3.0

**Structure**



Note:  
1. Design and specifications are subject to change without prior notice.