



Specification

- NON-RISING STEM
- INSIDE SCREW
- AWWA C509 DESIGN
- FLANGED TO ANSI B16.1

Material

Part	Material	ASTM
Body	Ductile Iron	A536 65-45-12
Bonnet	Ductile Iron	A536 65-45-12
Disc	Ductile Iron with EPDM coated	A536 65-45-12
Stem	Stainless Steel 420	AISI 420
O-Ring	EPDM	
Handwheel	Ductile Iron	A536 65-45-12

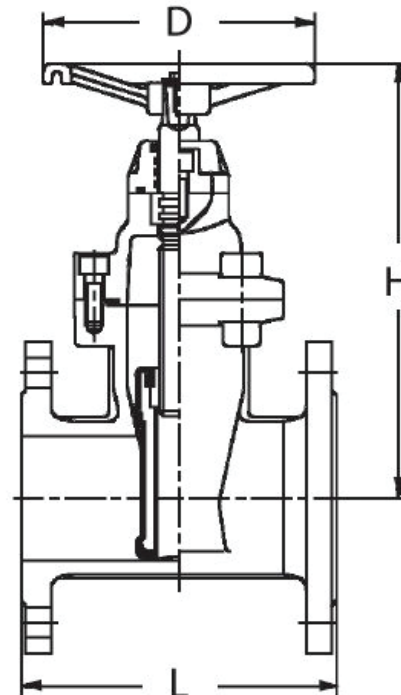
Pressure / Temperature Ratings

Working Pressure	300 psi
Testing Pressure	Shell: 450 psi Seat: 330 psi
Working Temperature	-10°C to 110°C (EPDM Coated)
Suitable Media	Water

Dimensions

Size inch	L inch	H inch	D inch
2	7	9.8	6.3
2½	7.5	11	6.3
3	8	13	7.9
4	9	14.2	7.9
5	10	16.3	9.8
6	10.5	18.1	9.8
8	11.5	22.5	11
10	13	23.8	12.6
12	14	27	12.6

Structure



Note:

1. JIS10K, P10 or PN16 flange standard are available upon request.
2. Design and specifications are subject to change without prior notice.



Specification

- NON-RISING STEM
- INSIDE SCREW
- BS 5163-TYPE A DESIGN
- FLANGED TO BS 4504 PN16

Material

Part	Material	BS
Body	Ductile Iron	2789 Gr.500/7
Bonnet	Ductile Iron	2789 Gr.500/7
Disc	Ductile Iron with EPDM Coated	2789 Gr.500/7
Stem	Stainless Steel 420	970 420S37
O-Ring	EPDM	
Handwheel	Ductile Iron	2789 Gr.500/7

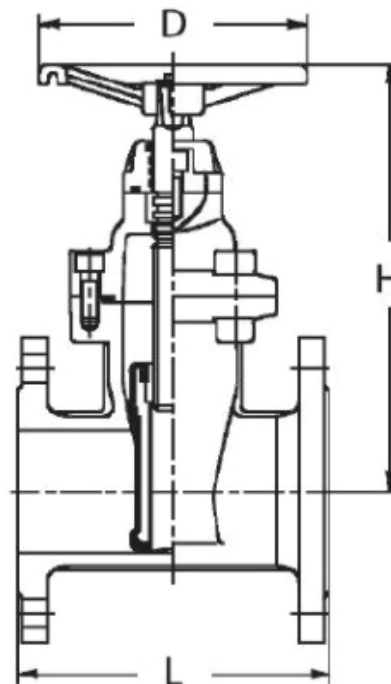
Pressure / Temperature Ratings

Working Pressure	16 bar
Testing Pressure	Shell: 24 bar Seat: 17.6 bar
Working Temperature	-10°C to 110°C (EPDM Coated)
Suitable Media	Water

Dimensions

Size mm	L mm	H mm	D mm
50	178	220	200
65	190	270	200
80	203	300	250
100	230	340	250
125	254	380	315
150	267	430	315
200	292	520	315
250	330	630	400
300	356	700	400
350	381	820	480
400	406	900	480
450	432	1000	495
500	457	1100	495
600	508	1200	600

Structure



- Note:
1. JIS10K, ANSI150# or PN10 flange standard are available upon request.
 2. Design and specifications are subject to change without prior notice.