



**Product Introduction**

EOT series compact quarter-turn electric actuator is the motor through the rotary force of multi-stage reduction gear, worm gear and other mechanisms, and finally through the output shaft, in the form of rotation 90° to switch the valve device, mainly to drive and control the valve opening, such as butterfly valve, ball valve, plug valve and other similar valve application. The output torque range is 50~6000N.m, and the control mode is mainly divided into two types: on/off type and modulating type.

The product housing use die-cast aluminum alloy, multistage reduction gear, copper alloy worm wheel and high strength alloy worm transmission structure. Actuator output clearance is small, stroke repetition deviation within  $\pm 1^\circ$ , high control accuracy, for buildings and civil construction and other industries to provide quality solutions.

**Limit Function**

Double CAM, convenient stroke calibration

**Process Control**

The actuator QR code tracing to strictly control product quality.

**Appearance design**

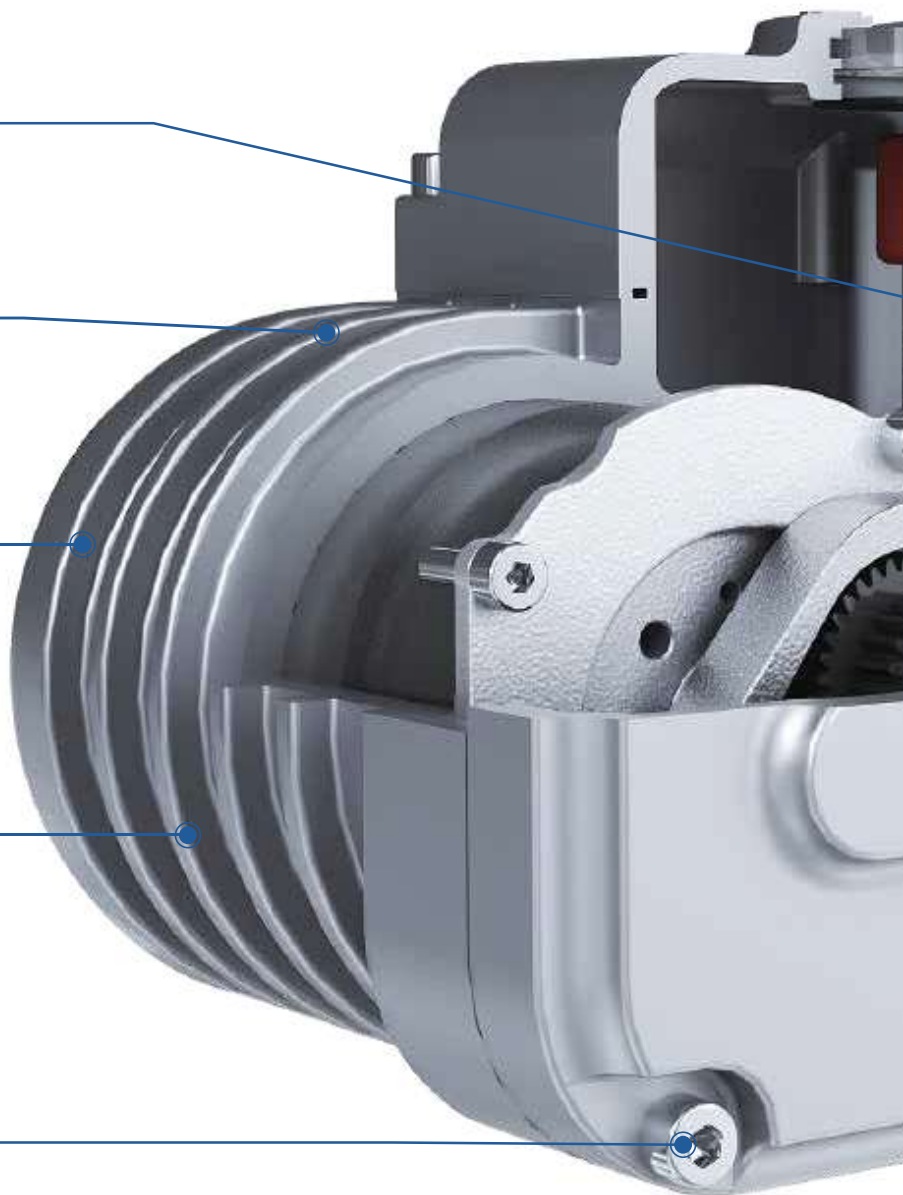
Streamlined design, small size, light weight, suitable for narrow space applications.

**Operational Safety**

Class F insulation motor. The motor winding has a thermal protector to sense the temperature of the motor to protect the overheating issues, thus ensures the operational safety of the motor.

**Anti-Corrosion resistance**

The housing is coated with anti-corrosion epoxy powder coating, which has strong adhesion and corrosion resistance. All fasteners are stainless steel for outdoor applications.





**Indicator**

Use plane pointer and scale to show the valve opening.

**Wiring Simple**

Plug - in terminal for easy connection.

**Reliable Sealing**

Adopt long - acting sealing ring design, effectively ensure water - proof grade.

**Moisture Resistance**

Installed with heater inside the actuator to prevent condensation and extend the life of the actuator.

**Manual Operation**

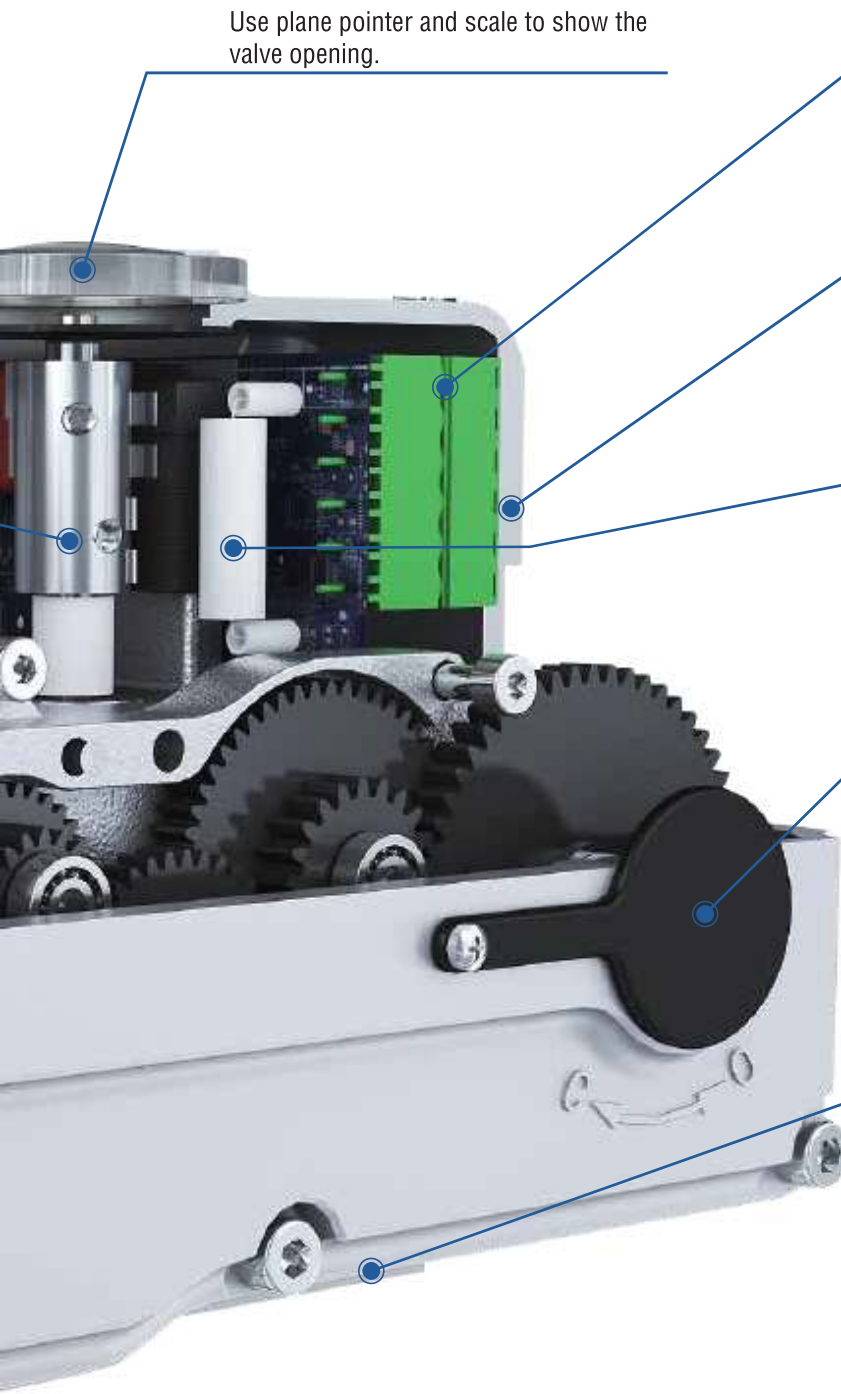
After the power is cut off, open the rubber cover and insert the matching Z-wrench to open and close the valve manually.

**Connecting Flange**

The bottom connecting hole position of the electric actuator is in accordance with ISO5211 standard, and the installation Angle can be flexibly changed to achieve the purpose of connecting the valve flange with different hole positions and angles.

**Packaging**

Product packaging with pearl cotton, accord with ISO2248 drop test.





**EOT Compact Quarter-turn Electric Actuator**  
**-Technical Specification**

<b>Mode</b>	EOT Series
<b>Torque Range</b>	50~6000N.m
<b>Ingress Protection</b>	IP67, Optional:IP68(7 meters underwater with no leakage for 72 hours)
<b>Working Duty</b>	On/off type:S2-15min Modulating type:S4-50%
<b>Applicable Voltage</b>	AC110V,AC220V±10% 1 Phase;50/60Hz±5%, Customizable DC24V,AC380V(basic model)
<b>Ambient Temperature</b>	-25°~+60°C
<b>Relative Humidity</b>	≤90%(25°C)
<b>Motor Specifications</b>	Class F, with thermal protector
<b>Output Connect</b>	ISO5211 direct connection
<b>Modulating Functional Configuration</b>	Support loss signal mode, signal reversal selection function
<b>Manual Operation</b>	Wrench operation, Optional:hand wheel
<b>Position Indicator</b>	Flat Pointer Indicator, 3D indication (optional)
<b>Input Signal</b>	On/off type:On/off signal Modulating type:Standard 4-20mA(input impedance:150Ω). Optional:0-10V, 2-10V, Optoelectronic isolation
<b>Output Signal</b>	On/off type:2-dry contact and 2-wet contact Modulating type:Standard 4-20mA(output impedance:≤750Ω). Optional:0-10V, 2-10V;Optoelectronic isolation
<b>Cable Entry</b>	On/off type:1*PG13.5;Modulating type:2*PG13.5;On/off type(380V):2*PG13.5
<b>Space Heater</b>	Standard
<b>Over Torque Protection</b>	Over torque switches are optional, expect EOT05
<b>Color</b>	RAL9006(Silver grey), Anti corrosion epoxy powderder coating



**EOT Compact Quarter-turn Electric Actuator  
-Technical Specification**

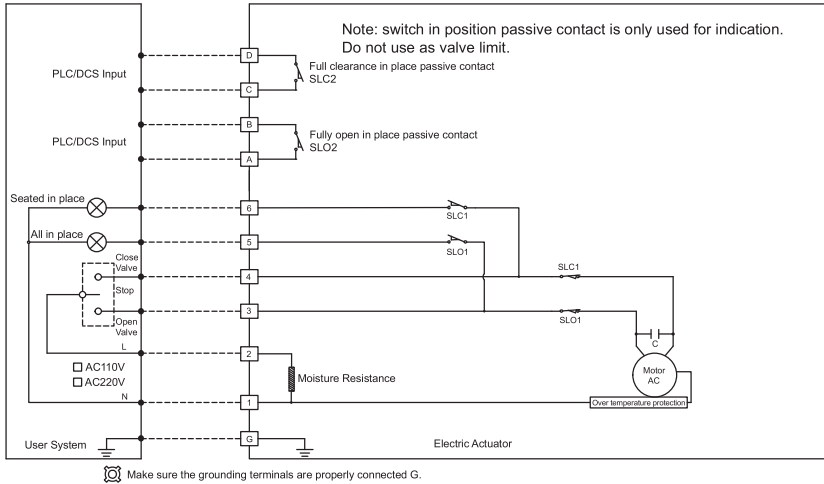
Mode	220V Power (W)	Max output Torque (N.m)		Operating time (Sec) 50Hz			ISO5211	Stem connection dimensions (mm)	Stem height (mm)	Weight (kg)	Remark
		AC110V AC220V DC24V	AC380V 3 Phase	AC110V AC220V 50Hz	AC380V	DC 24V					
EOT05	6	50	—	19	—	15	F03/F05 /F07	□9 □11 □14 Octagon	≤20	2	8# Wrench operation
EOT10	25	100		30		23	F05/F07	□11 □14 □17 Octagon	≤32	4.5	6mm Allen manual wrench operation
EOT20	40	200		30		23	F07/F10	□14 □17 □22 Octagon	≤44	10	
EOT40	60	400		30		23					
EOT60	90	600		30		15					
EOT100	120	1000		30		23	F10/F12 F14/F16	□22 □27 □36 Octagon	≤30 customizable: ≤55	26	
EOT160	150	1600		42		32					
EOT250	200	2500		70		33	F14 F16	□27 □36 Octagon	≤55	28	
EOT400	200	4000		93		-	F16	□46 Octagon	≤85	68	
EOT600	200	6000		153		-	F16	□55 Octagon	≤85	80	

**Note:**

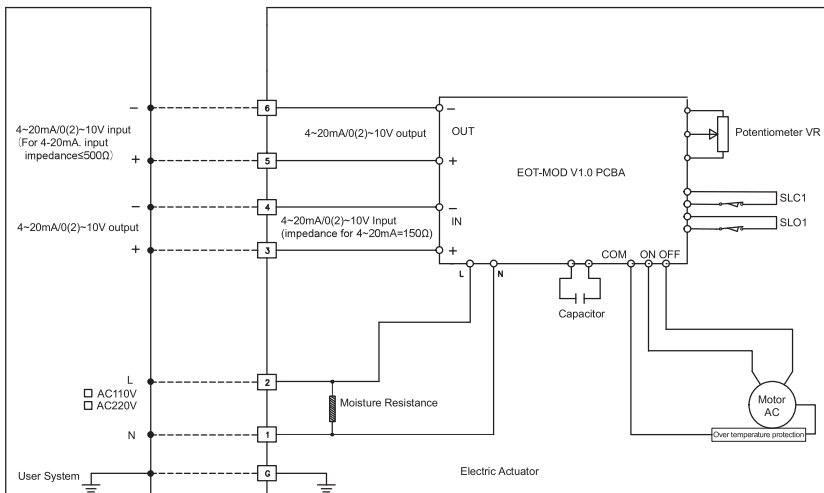
1. The above parameters are the factory standard configuration of the product.
2. The operating time allows ±20%. EOT05 on/off type can do AC/DC 24V; EOT05 modulating type without 24V.
3. The rated torque is 0.75 times the maximum torque
4. The above is the 50Hz operating time. The 60Hz operating time is 5/6 times the 50Hz operating time.  
Same as above for maximum torque.
5. If the valve stem height of the valve is greater than the above size, please contact our business personnel for customization.
6. If you need mechanical limit for EOT05 model, please contact our business personnel.



**EOT Signal phase on/off type wiring diagram**



**EOT Signal phase modulating type wiring diagram**



**Order Code**

**EOT 05 O d S K2**

- Signal Code : K2: (Active + passive) feedback  
T1/T3:0-10V/4-20mA
- Color: S: Silver grey/RAL9006(matt)
- Voltage d:220-230VAC e:380V(Basic type)  
g:DC24V(Basic type) q:110-120VAC
- Control Mode: O:On/off I:Modulating
- Output torque: 05(50N.m);10(100N.m);20(200N.m).....
- Compact quarter-turn electric actuator