



**Specification**

- NON-RISING STEM
- FLANGED TO BS4504 PN16

**Material**

Part	Material
Body	Stainless steel 304
Bonnet	Stainless steel 304
Disc	Stainless steel 304
Stem	Stainless steel 304
Packing	Graphite
Stem Nut	Aluminium Bronze
Handwheel	Ductile Iron

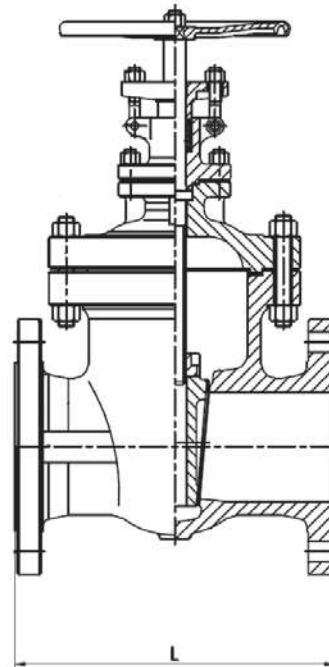
**Pressure / Temperature Ratings**

Working Pressure	16 bar
Testing Pressure	Shell: 24 bar Hydrostatic Seat: 17.6 bar Hydrostatic
Working Temperature	-29°C ~ 150°C
Suitable Media	Water & Oil

**Dimensions**

Size mm	L mm
50	250
65	270
80	280
100	300
125	325
150	350
200	400
250	450
300	500

**Structure**



Note:

1. JIS10K, ANSI150# or PN10 flange standard are available upon request.
2. Design and specifications are subject to change without prior notice.