



Specification

- FOR ANSI CLASS B16.1 FLANGE MOUNTING
- FACE-TO-FACE DIMENSION TO ISO 5752 / BS 5155 / BS EN 593
- LEVER / WORM GEAR OPERATOR

Material

Part	Material	ASTM*
Body	Stainless Steel 304 Stainless Steel 316	A351 CF8 A351 CF8M
Disc	Stainless Steel 304 Stainless Steel 316	A351 CF8 A351 CF8M
Seat Ring	EPDM NBR PTFE VITON	
Shaft	Stainless Steel 420 Stainless Steel 431	A276-420 A276-431
O-Ring	NBR	
Bushing	Resin	

*: Indicates the corresponding equivalent standard material for ASTM.

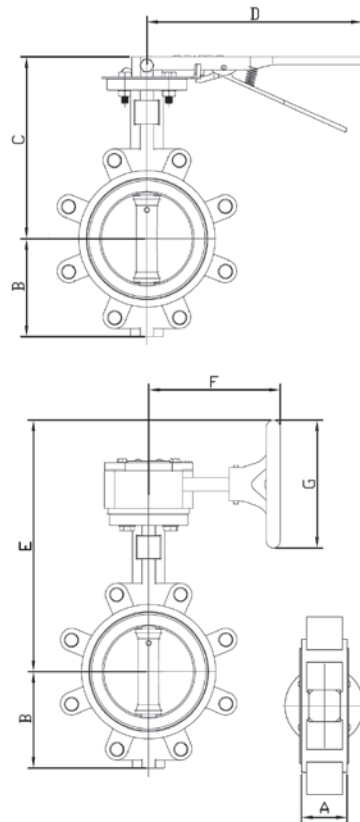
Pressure / Temperature Ratings

Working Pressure	200 psi
Testing Pressure	Shell: 1.5 times Seat: 1.1 times
Working Temperature	-4°F to 230°F (EPDM Seat) 14°F to 176°F (NBR Seat) 41°F to 248°F (PTFE seat) 14°F to 275°F (VITON seat)
Suitable Media	Water & Oil

Dimensions

Size inch	A inch	B inch	C inch	D inch	E inch	F inch	G inch
2	1.7	2.8	6.2	9.8	9.4	5.9	5.7
2½	1.8	3.0	6.6	9.8	9.8	5.9	5.7
3	1.8	3.7	6.8	9.8	10.0	5.9	5.7
4	2	4.2	8.2	9.8	11.4	5.9	5.7
5	2.2	4.8	8.6	9.8	11.8	5.9	5.7
6	2.2	5.5	9.8	9.8	12.9	5.9	5.7
8	2.4	6.6	10.8	14.8	16.7	8.1	11.0
10	2.7	8.0	12.7	14.8	18.5	8.1	11.0
12	3.1	9.4	13.7	14.8	19.5	8.1	11.0
14	3.1	10.6	-	-	22.0	8.1	11.0

Structure





Specification

- FOR ANSI CLASS B16.1 FLANGE MOUNTING
- FACE-TO-FACE DIMENSION TO ISO 5752 / BS 5155 / BS EN 593
- DOUBLE-STAGE WORM GEAR OPERATOR

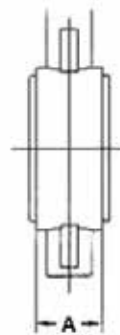
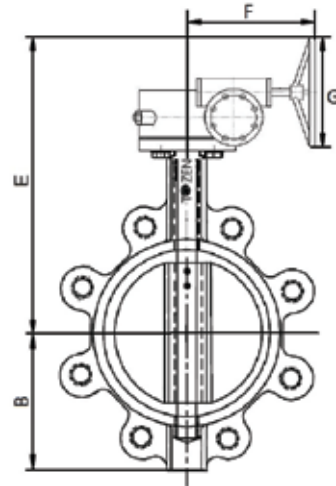
Pressure / Temperature Ratings

Working Pressure	200 psi
Testing Pressure	Shell: 1.5 times Seat: 1.1 times
Working Temperature	-4°F to 230°F (EPDM Seat) 14°F to 176°F (NBR Seat) 41°F to 248°F (PTFE seat) 14°F to 275°F (VITON seat)
Suitable Media	Water & Oil

Dimensions

Size inch	A inch	B inch	E inch	F inch	G inch
16	4.0	12.1	26.6	9.9	11.0
18	4.5	13.2	27.6	9.9	11.0
20	5.0	14.7	28.9	9.9	11.0
24	6.1	16.9	34.5	11.8	15.1

Structure



Note:

1. Actuator mounting flange conforms to ISO 5211 drilling.
2. The butterfly valve can be supplied with electric actuator.
3. Micro switch / limit switch box are available upon request.
4. Others flange standard available upon request.
5. Design and specifications are subject to change with out prior notice.