



Specification

- FOR BS EN 1092-2 (BS4504) PN10 / PN16 FLANGE MOUNTING
- FACE-TO-FACE DIMENSION TO ISO 5752 / BS 5155 / BS EN 593
- LEVER / WORM GEAR OPERATOR

Material

Part	Material	BS EN*
Body	Stainless Steel 304 Stainless Steel 316	10283 GX5CrNi19-10 10283 GX5CrNiMo19-11-2
Disc	Stainless Steel 304 Stainless Steel 316	10283 GX5CrNi19-10 10283 GX5CrNiMo19-11-2
Seat Ring	EPDM NBR PTFE VITON	
Shaft	Stainless Steel 420 Stainless Steel 431	10088-3 X20Cr13 10088-3 X17CrNi16-2
O-Ring	NBR	
Bushing	Resin	

*: Indicates the corresponding equivalent standard material for BS EN.

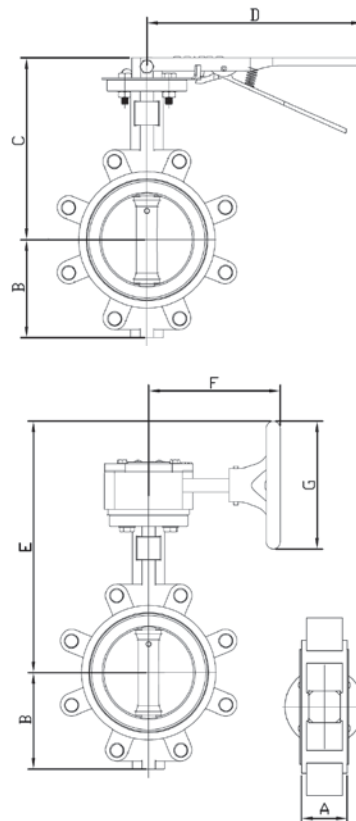
Pressure / Temperature Ratings

Working Pressure	16 bar
Testing Pressure	Shell: 1.5 times Seat: 1.1 times
Working Temperature	-20°C to 110°C (EPDM Seat) -10°C to 80°C (NBR Seat) 5°C to 120°C (PTFE seat) -10°C to 135°C (VITON seat)
Suitable Media	Water & Oil

Dimensions

Size mm	A mm	B mm	C mm	D mm	E mm	F mm	G mm
50	43	70	157	248	238	150	145
65	46	76	167	248	248	150	145
80	46	93	173	248	254	150	145
100	52	106	209	248	290	150	145
125	56	123	219	248	300	150	145
150	56	139	248	248	329	150	145
200	60	166	275	375	424	205	280
250	68	203	322	375	471	205	280
300	78	238	347	375	496	205	280
350	78	270	-	-	558	205	280

Structure





Specification

- FOR BS EN 1092-2 (BS4504) PN10 / PN16 FLANGE MOUNTING
- FACE-TO-FACE DIMENSION TO ISO 5752 / BS 5155 / BS EN 593
- DOUBLE-STAGE WORM GEAR OPERATOR

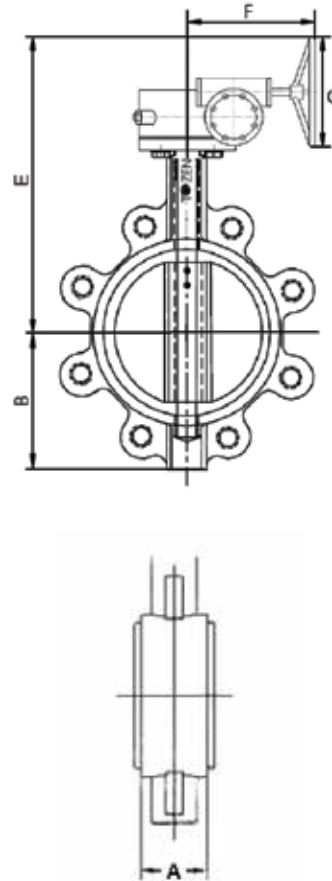
Pressure / Temperature Ratings

Working Pressure	16 bar
Testing Pressure	Shell: 1.5 times Seat: 1.1 times
Working Temperature	-20°C to 110°C (EPDM Seat) -10°C to 80°C (NBR Seat) 5°C to 120°C (PTFE seat) -10°C to 135°C (VITON seat)
Suitable Media	Water & Oil

Dimensions

Size mm	A mm	B mm	E mm	F mm	G mm
400	102	307	676	251	280
450	114	336	702	251	280
500	127	373	733	251	280
600	154	429	877	300	385

Structure



Note:

1. Actuator mounting flange conforms to ISO 5211 drilling.
2. The butterfly valve can be supplied with electric actuator.
3. Micro switch / limit switch box are available upon request.
4. Others flange standard available upon request.
5. Design and specifications are subject to change with out prior notice.