



**Specification**

- FLANGED TO GB/T17241 PN16 / PN25

**Pressure / Temperature Ratings**

Working Pressure	16 / 25 bar
Testing Pressure	Shell: 1.5 times Seat: 1.1 times
Working Temperature	-10°C to 80°C (EPDM / HNBR) -10°C to 70°C (NBR)
Suitable Media	Water

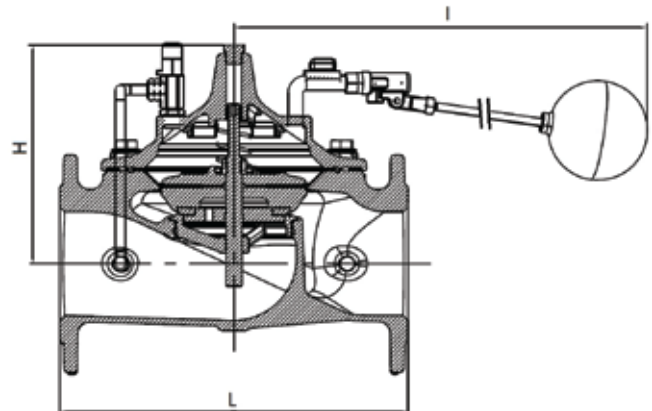
**Material**

Part	Material	GB
Body	Ductile Iron	GJS500-7
Restriction	Stainless Steel 304	SUS 304
Ball Valve	Stainless Steel 304	SUS 304
Float Pilot	Stainless Steel 304	SUS 304
Strainer	Stainless Steel 304	SUS 304
Tube	Stainless Steel 304	SUS 304

**Dimensions**

Size mm	L mm	H mm	I mm
50	230	139	485
65	290	159	515
80	310	179	525
100	350	214	545
125	400	214	550
150	480	333	556
200	600	407	562
250	730	476	630
300	850	526	655
350	850	585	655
400	1100	624	684

**Structure**



Note:

1. Other materials products, please consult out sales office.
2. Design and specifications are subject to change without prior notice.