



Specification

- THREADED TO BS 21 (ISO7) /ASME B1.20.1 OR NPT

Material

Part	Material	EN
Body	Brass	12165 CW617N
Cap	Brass	12165 CW617N
Air Cap	Brass	12165 CW617N
Float	Plastic	
Float Bar	Stainless Steel 304	304 S15
Spring	Stainless Steel 304	304 S15
Packing	EPDM	
O-Ring	EPDM	

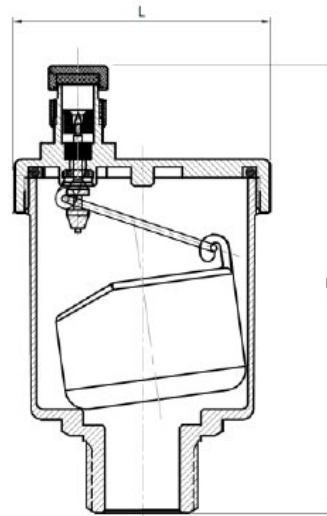
Pressure / Temperature Ratings

Working Pressure	16 bar
Testing Pressure	24 bar Hydrostatic
Suitable Media	Water

Dimensions

Size		L		H	
mm	inch	mm	inch	mm	inch
15	½	46	1.8	82	3.2
20	¾	46	1.8	82	3.2
25	1	46	1.8	82	3.2

Structure



Note:

1. 20mm & 25mm valves will be supplied with adaptor attached with 15mm valve.
2. Design and specifications are subject to change without prior notice.