

BENEFIT

- For foundation of bolt and ceiling type bolt
- For vibration and noise control of ceiling equipment

FEATURE

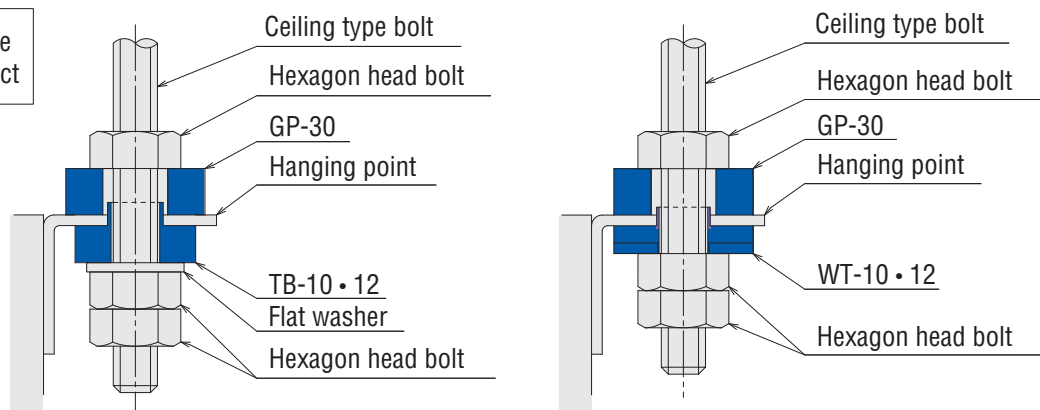
- Isolating of vibration/electrical corrosion can be done with small space and low cost.
- Various combinations are available.

APPLICATIONS

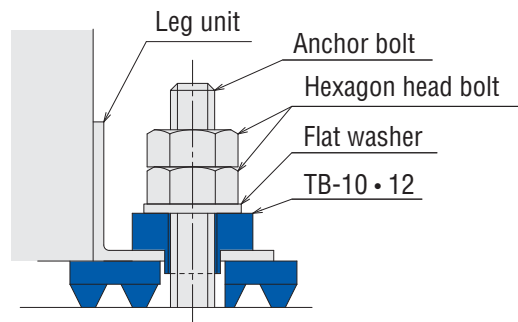
- Easy construction of vibration Isolation Hanger or light weight ceiling equipment with duct and plumbing. Used for the isolation of anchor bolt that is for fixing vibration proof or equipment attachment bolt.
- Easy electronic isolation process can be done; coat or painting protection and dissimilar metal.

TYPICAL APPLICATIONS

Ceiling type cassette
A/C • Horizontal duct



Outdoor equipment



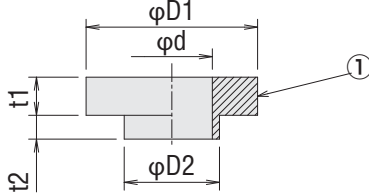
Note:

This brochure may be revised without prior notice. We apologize in advance for any inconvenience this may cause.

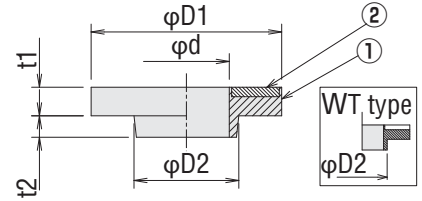


STRUCTURE AND DIMENSION

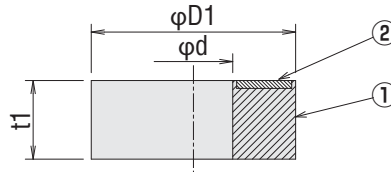
TB type
B type



XT type
WT type



X type
GP type



Number	Name	Material
①	Rubber itself	Synthetic rubber
②	Metal fittings	SS400

※TB/B/GP types are not included metal fitting.
Please prepare washers if necessary.

Type	φD1	φD2	φd	t1	t2	Allowable load N (kgf)
TB-10	26	12	10.5	8	5	245.2 (25.0)
TB-12	28	14	12.7	8	5	294.2 (30.0)
B-16	36	20	17	8	5	343.2 (35.0)
B-20	40	25	21	8	5	490.3 (50.0)
XT-10	22	15	12	8	3	147.1 (15.0)
XT-18	40	18	14	6	4.5	1176.8 (120.0)
XT-22	40	22	18	6	4.5	784.6 (80.0)
XT-23	50	23	18	9	10	1961.3 (200.0)
XT-26	50	26	22	8	5	980.7 (100.0)
WT-10	30	11.5	10.5	6	4	1471.0 (150.0)
WT-12	35	14	13	6	4	1961.3 (200.0)
X-10	26	-	10	10	-	245.2 (25.0)
GP-30	30	-	14	10	-	490.3 (50.0)

HANDLING INSTRUCTIONS

- Please note that the product must be avoided adhesion such as strong acid, strong alkali, organic solvent, fat and oil.
- Please be sure to attach the device with equable loading to compression direction
- The product must be protected from spark like welding.
- The other "bush" series could be the better option as metal fitting may get rusty when X-10, WT-10/20 are used at outside.
- TB/B/GB types need washer(s) separately when using those devices.

Note:

This brochure may be revised without prior notice. We apologize in advance for any inconvenience this may cause.